

COUPLER

Emco Wheaton DRY-BREAK™ Couplers and Adapters are used anywhere spill-free fluid transfer is required.

- Cannot be opened until connected to adapter or disconnected until lever is moved to closed position thus eliminating accidental spillage
- Product loss on disconnect virtually eliminated
- Available with straight or 90° integrated ball-bearing swivel for loading arm or kink-free hose connection
- Easily serviced in the field using the *Emco Wheaton Repair Kit Program*
- Interchangeable with all existing Emco Wheaton 3" inlet adapters

ADAPTER

- Enhanced poppet design allows for better flow characteristics in either direction
- Rear-entry design allows for easy field servicing
- One-piece poppet means fewer components for service
- Interchangeable with all existing Emco Wheaton 3" inlet couplers

ACCESSORIES

Dust Cap for Adapter



Adapter Opener

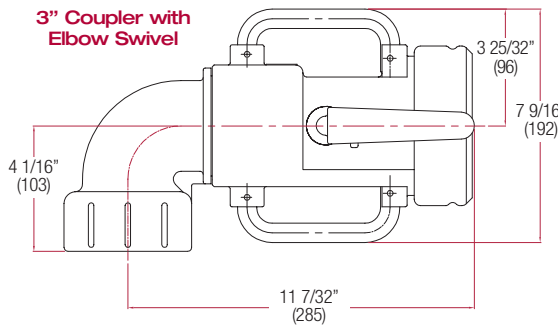
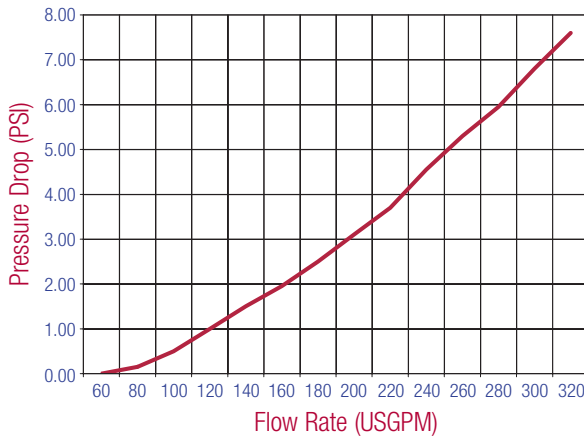


Dust Plug for Coupler

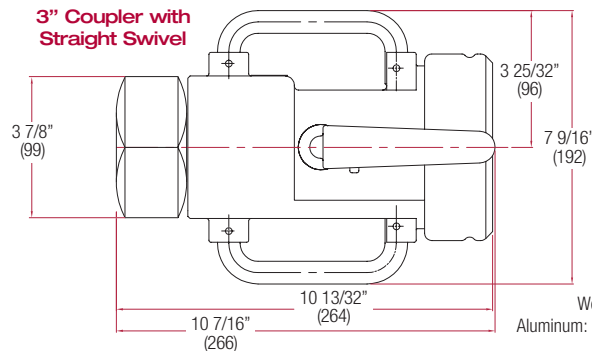


TECHNICAL SPECIFICATIONS

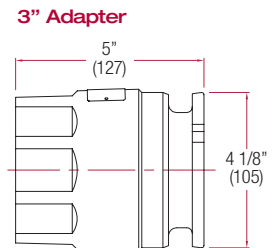
J73 Pressure Drop



Weight:
Aluminum: 9.00 lb/4.1 kg



Weight:
Aluminum: 8.15 lb/3.7 kg



Weight:
Aluminum: 2.50 lb/1.1 kg
Brass: 8.00 lb/3.6 kg

TO ORDER 3-INCH PRODUCTS

Configure your part number as shown below.

Sample Part Number:

J 7 3 C - A V N 1 - B 0 0 3

Type	Body Material	Seals	Inlet	Swivel	Rev.	Special Features
C=Coupler A=Adapter	A=Aluminum B=Brass	V=Viton B=Buna E=EPDM	N=Female NPT I=ISO 228 Parallel T=ISO 228 Tapered	0=Straight (No Swivel) 1=Straight with Swivel 2=90° with Swivel	A B etc.	003=Selective (3-pin)