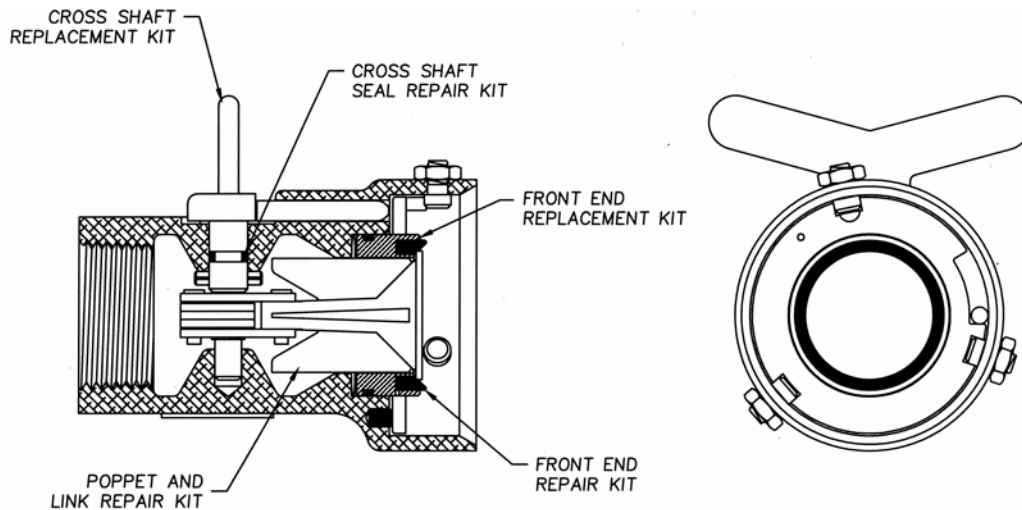


DRY-BREAK II™ PRODUCT BULLETIN

J71 1-INCH COUPLER & ADAPTER REPAIR KITS



Emco Wheaton has developed a series of REPAIR KITS suitable for the field repair of the J71 Series Couplers & Adapters.

Our previous experience with this type of KIT PROGRAM has proven its value. If a Coupler or an Adapter has a leaky seal or 'O' Ring, or a part worn, the feeling is the installation of a complete REPAIR KIT in that area of concern will give the user far better value for the money, rather than just replacing one or two parts.

The installation of the KIT renders a wear zone on the Coupler or Adapter completely rebuilt, and will consequently give longer service life. These KITS are available off the shelf, and come complete with Instruction Sheet and diagram. The part number is prominently displayed for easy stock identification. Below is a summary of the usage and key content of each type of KIT:

Front End (Major) Replacement Kit: For major rebuild of the front end of the coupler. Kit Contains: Nose Piece, Nose Seal, Front End O-ring, Cross Shaft O-ring, roll pin, wave washer, springs (3), Interlock Plate, Bayonet Studs (3) and nuts (3), Interlock Pin, Silicone Oil.

Front End (Minor) Repair Kit: For minor repair of the front end of the coupler. Kit Contains: Nose Seal, Cross Shaft O-ring, Front End O-Ring, Roll Pin, Silicone Oil.

Cross Shaft Seal Kit: For replacement of cross shaft seals only. Kit Contains: Cross Shaft O-ring, Roll Pin, Silicone Oil.

Cross Shaft Replacement Kit: For replacing the lever and cross-shaft. Kit Contains: Cross Shaft O-Ring, Roll Pin, Cross Shaft / Lever Assembly, Silicone Oil.

Poppet / Link & Stem Replacement Kit: For complete replacement of a damaged Poppet / Link & Stem Assembly. Kit Contains: Poppet / Link & Stem Assembly (complete), Roll Pin, Cross-Shaft O-Ring, Silicone Oil.

EMCO WHEATON
A Gardner Denver Company



EMCO WHEATON CORP.
2480 Bristol Circle, Oakville,
Ontario, Canada, L6H 5S1
Tel: 905-829-8619
Fax: 905-829-8620
www.emcowheatoncanada.com
Revised: March 1, 2006

DRY-BREAK II™ PRODUCT BULLETIN

J71 1-INCH COUPLER & ADAPTER REPAIR KITS

COUPLERS

To determine the correct repair kit for your coupler, find the part number of the coupler in the list at the left-hand side. Then follow the line to determine the kit number. For example, the cross shaft seal kit for J71C-AVN0-A is 800418.

Coupler Part #	Front End (Major) Replacement Kit Part #	Front End (Minor) Repair Kit Part #	Cross Shaft Seal Kit Part #	Cross Shaft Replacement Kit Part #	Poppet / Link & Stem Repair Kit Part #
J71C-ABN0-A	800426	800423	800417	800420	800434
J71C-APN0-A002	CALL FOR INFORMATION				
J71C-AVN0-A	800427	800424	800418	800421	800435
J71C-AVN0-A002	CALL FOR INFORMATION				
J71C-AVT0-A	800427	800424	800418	800421	800435
J71C-BPN0-A006	800681	800682	800679	800680	800683

ADAPTERS

Listed below are the repair kits that are now available for Adapters. Each kit includes the following items: Front End and Back End Retaining Screws, Seal Ring, Sealing Washer, Spring, Flat Washer, Silicone Oil.

Adapter Part #	Repair Kit Part #
J71A-BBM0-A	800431
J71A-BBN0-A	800431
J71A-BVB0-A	800432
J71A-BVM0-A	800432
J71A-BVN0-A	800432
J71A-BVPO-A	800432
J71A-BPM0-A	800684
J71A-BPM0-A004	800684
J71A-BPN0-A	800684
J71A-SBM0-A	800685
J71A-SPM0-A	Call for information
J71A-SVM0-A	Call for information

EMCO WHEATON
A Gardner Denver Company



EMCO WHEATON CORP.
2480 Bristol Circle, Oakville,
Ontario, Canada, L6H 5S1
Tel: 905-829-8619
Fax: 905-829-8620
www.emcowheatoncanada.com
Revised: March 1, 2006